



KOLDLITE Series K110-255BX

SYSTEM

110 watt compact fluorescent multi-purpose fixture provides even coverage for studio, ENG or OB lighting applications. Wide range of beam angles and intensity achieved through variable configurations of accessory options. All 230 volt fixtures are RoHS compliant.

UL/CUL Listed

SPECIFICATION

Housing: Constructed of .063 formed aluminum then coated with black textured TGIC polyester powder coat finish.

Reflector: Formed .020 high purity aluminum (99.9%) reflector material with 95% reflectance finish.

Socket: Molded white high strength thermoplastic with push wire connections and 18 gauge leads. Model number 2G11 4-pin.

Electrical: Unit contains (1) 2-lamp ballast to drive two 55 watt lamps for a total of 110 lamp watts per fixture. Power factor shall be $>.97$ with a class A sound rating and THD of $<20\%$. Power entry on unit includes on/off switch, fuse holder with fuse (for protection against power surges), spare fuse and IEC connector.

Mounting: Provided with .125 welded aluminum yoke. Unit may rotate vertically through the yoke and horizontally through a pipe clamp for ease of focus, and may be locked into place.

Fixture Includes:

- (1) 2-lamp Ballast (Specify Voltage)
- 16' power cord with NEMA5-15 (3) prong plug
- (1) C-Clamp or 5/8" Stand Adapter (Specify One)

LAMPS (Not Included)

(2) 55 watt FT55W/2G11/830 (Suggested)

3000K, 3200K or 5500K Available

12,000 Hours Lamp Life

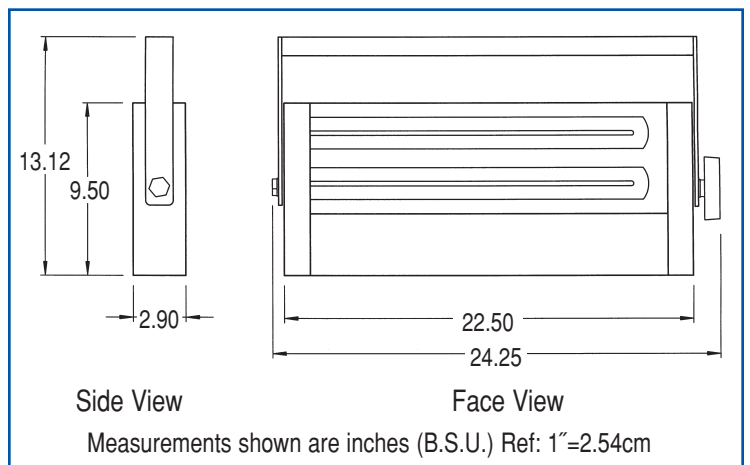
CRI: 82

Light Output: 4800 LM/Lamp

OPTIONS (Must Specify Each)

Ballast 120 VAC/60Hz HPF Electronic
230 VAC/50-60Hz HPF Electronic

Mounting 2" O.D. C-Clamp
5/8" Stand Adapter



MODEL

K110-255BX	Non Dim
K110-255BX-DA	On Board Dim
K110-255BX-DMX	Requires a DMX512-S to Dim
K110-255BX-D/PM*	Phase Control Dim

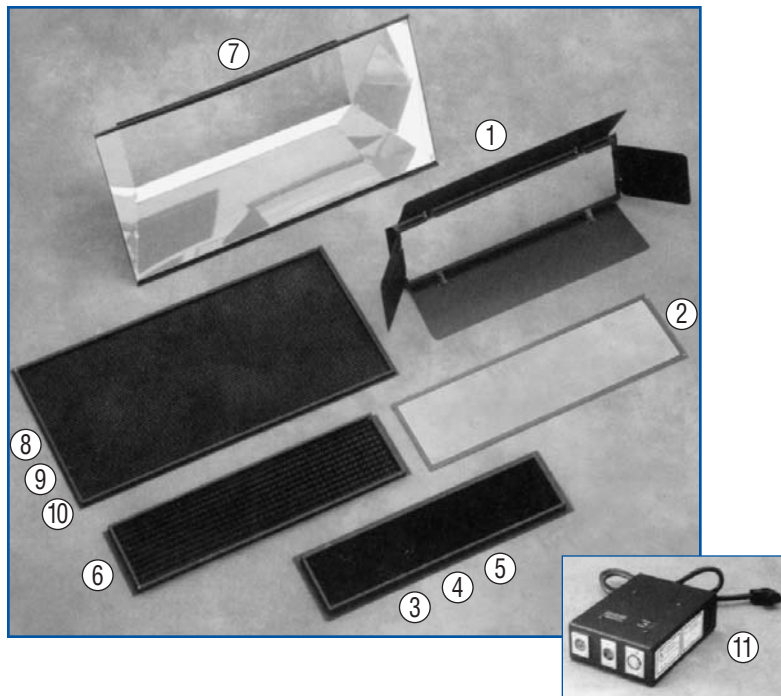
* Not available in 230 volt.

WEIGHT

	Lbs	Kg	DIMENSIONS	Inches	Cm
Complete	11.0	5.0	Length	24.3	61.7
DMX	2.0	0.9	Height	13.1	33.3
			Width	2.9	7.4

ACCESSORIES

(See detailed description and function in Accessories Section)



PART

- ① BD-K110 Barn Door
- ② GF-K110 Gel Frame
- ③ ZS-K110-W Zone Control Screen Wide
- ④ ZS-K110-M Zone Control Screen Medium
- ⑤ ZS-K110-N Zone Control Screen Narrow
- ZS-K110-WMN Set of 3 Zone Control Screens
- ⑥ ECS-K110 Eggcrate, Black Aluminum
- ⑦ INT-K110 Intensifier
- ⑧ INT-ZS-K110-W Intensifier Zone Screen Wide
- ⑨ INT-ZS-K110-M Intensifier Zone Screen Medium
- ⑩ INT-ZS-K110-N Intensifier Zone Screen Narrow
- ⑪ DMX-512-S DMX Analog Encoder

PHOTOMETRICS

6-98 MODEL K110-255BX		DISTANCE				
		3ft/.91m	6ft/1.83m	9ft/2.74m	12ft/3.66m	15ft/4.57m
NO ACCESSORIES	FC	269	86	38	22	15
	Lux	2897	926	409	237	162

Light level readings were measured in foot-candles (fc) and converted to Lux using the conversion factor of 1 fc = 10.765 Lux. Values shown are light levels on centerline. Reference: Meter used—Photopically correct (NIST) Spectra professional IV-4 digital incident light meter with photodisc. Lamps: 3000 Kelvin. Ambient temperature in test studio 75F ±3F. Distance measurements converted to feet using 1ft = .305m. Original photometric data on file at the factory. Specifications subject to change without notice or obligation.