



# POWER KEY Series P055-155BX

## SYSTEM

Powerful 55-watt compact fluorescent unit with adjustable beam spread of 60°, 70° or 90°. Provides a concentrated, even coverage for studio or location lighting applications without added accessories. Additional control achieved with zone screen accessory option. All 230 volt fixtures are RoHS compliant.

UL/CUL/CE Damp Location Listed.

U.S. Patent #6,945,671

## SPECIFICATION

**Housing:** Constructed of .063 formed aluminum, then coated with black textured TGIC polyester coat finish.

**Reflector:** Formed .020 high purity aluminum (99.9%) reflector material with 95% reflectance finish.

**Socket:** Molded white high strength thermoplastic with push wire connections and 18-gauge leads. Model number 2G11 4-pin. Mounted to adjustable bracket to alter beam spread.

**Electrical:** Unit contains (1) 1-lamp ballast to drive a 55-watt lamp for a total of 55 lamp watts per fixture. Power factor shall be >.97 with a class A sound rating and THD of <20%. Power entry on unit includes on/off switch, fuse holder with fuse (for protection against power surges), spare fuse and IEC connector.

**Mounting:** Provided with .125 welded aluminum yoke which allows vertical or horizontal mounting. Unit may rotate vertically through the yoke and horizontally through a pipe clamp for ease of focus, and may be locked into place.

### Fixture Includes:

- (1) 55-watt Biax Lamp
- (1) 1-lamp Ballast (Specify Voltage)
- 16' power cord with NEMA5-15 (3) prong plug
- (1) C-Clamp or 5/8" Stand Adapter (Specify One)

## LAMPS (Included)

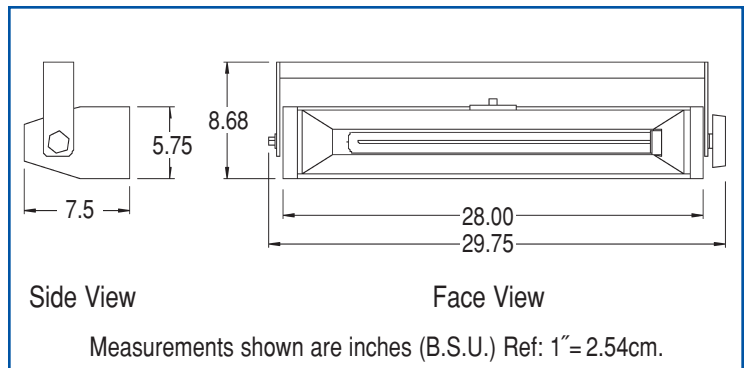
55-watt FT55W/2G11/830  
3000K, 12,000 Hours Lamp Life  
CRI: 82  
Light output: 4800 LM/Lamp

## OPTIONS (Must Specify Each)

Ballast 120 VAC/60Hz HPF Electronic  
230 VAC/50-60Hz HPF Electronic

Mounting 2" O.D.C-Clamp  
5/8" Stand Adapter

Lamps 3000K (Included as Standard)  
3200K (Additional charge)  
5500K (Additional charge)



### MODEL #

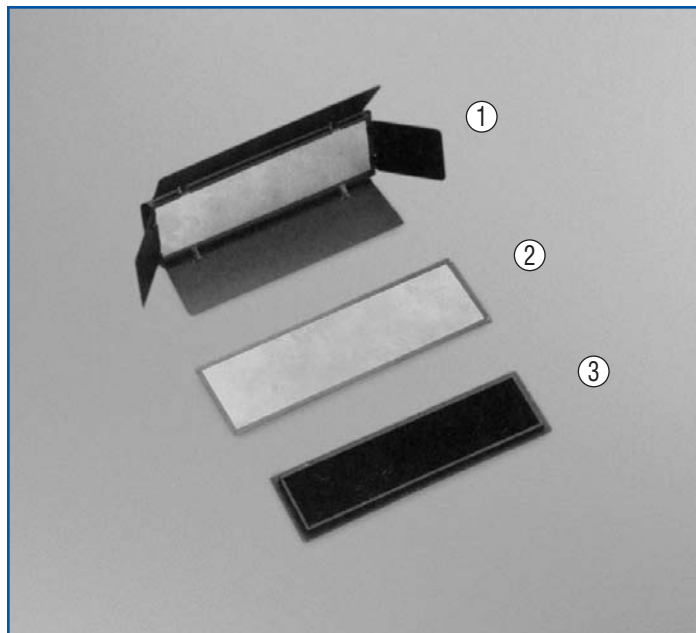
P055-155BX	Non Dim
P055-155BX-DA	On Board Dim
P055-155BX-DMX	DMX control within fixture.
P055-155BX-D/PM*	Phase Control

\* Not available in 230 Volt

WEIGHT			DIMENSIONS		
	Lbs	Kg		Inches	Cm
Complete	11.0	4.9	Length	29.75	75.6
DMX	0.5	0.2	Height	8.68	22.1
			Width	7.0	17.8

## ACCESSORIES

(See detailed description and function in Accessories Section)



**PART #**

- ① BD-P055 Barn Door
- ② GF-P055 Gel Frame
- ③ ZS-P055-W Zone Control Screen Wide

## PHOTOMETRICS

4-06 MODEL P055-055BX		DISTANCE			
		3ft/.91m	6ft/1.83m	9ft/2.74m	12ft/3.66m
NO ACCESSORIES	FC	332	83	37	21
	Lux	3574	893	398	226

Light level readings were measured in foot-candles (fc) and converted to Lux using the conversion factor of 1 fc = 10.765 Lux. Values shown are light levels on centerline. Reference: Meter used—Minolta T-1 Illuminance meter. Lamps: 3000 Kelvin. Ambient temperature in test studio 75F ±3F. Distance measurements converted to meters using 1ft = .305m. Original photometric data on file at the factory. Specifications subject to change without notice or obligation.