



# POWER KEY Series P110-255BX

## SYSTEM

Powerful 110 watt compact fluorescent unit with adjustable beam spread of 60°, 70° or 90°. Provides a concentrated, even coverage for studio or location lighting applications without added accessories. Additional control achieved with accessory options. All 230 volt fixtures are RoHS compliant.

UL/CUL/CE Damp Location Listed

U.S. Patent # 6,945,671

## SPECIFICATION

**Housing:** Constructed of .063 formed aluminum then coated with black textured TGIC polyester powder coat finish.

**Reflector:** Formed .020 high purity aluminum (99.9%) reflector material with 95% reflectance finish.

**Socket:** Molded white high strength thermoplastic with push wire connections and 18 gauge leads. Model number 2G11 4-pin. Mounted to adjustable bracket to alter beam spread.

**Electrical:** Unit contains (1) 2-lamp ballast to drive two 55 watt lamps for a total of 110 lamp watts per fixture. Power factor shall be  $>.97$  with a class A sound rating and THD of  $<20\%$ . Power entry on unit includes on/off switch, fuse holder with fuse (for protection against power surges), spare fuse and IEC connector.

**Mounting:** Provided with .125 welded aluminum yoke which allows vertical or horizontal mounting. Unit may rotate vertically through the yoke and horizontally through a pipe clamp for ease of focus, and may be locked into place.

### Fixture Includes:

- (2) 55 watt Biax Lamps
- (1) 2-lamp Ballast (Specify Voltage)
- 16' power cord with NEMA5-15 (3) prong plug
- (1) C-Clamp or 5/8" Stand Adapter (Specify One)

## LAMPS (Included)

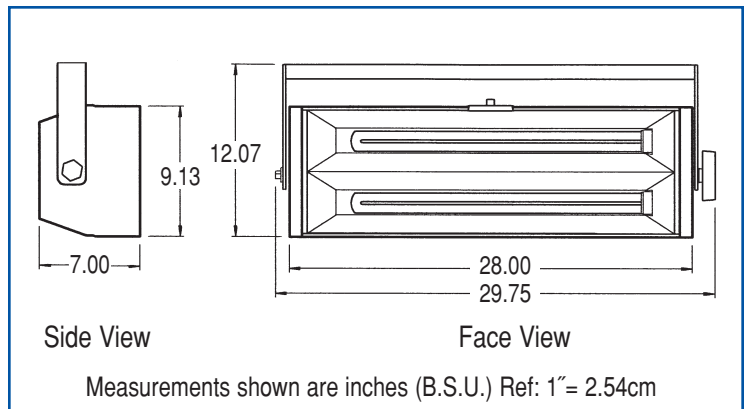
(2) 55 Watt FT55W/2G11/830  
3000K, 12,000 Hours Lamp Life  
CRI: 82  
Light Output: 4800 LM/Lamp

## OPTIONS (Must Specify Each)

Ballast 120 VAC/60Hz HPF Electronic  
230 VAC/50-60Hz HPF Electronic

Mounting 2" O.D. C-Clamp  
5/8" Stand Adapter

Lamps 3000K (Included as Standard)  
3200K (Additional charge)  
5500K (Additional charge)



### MODEL #

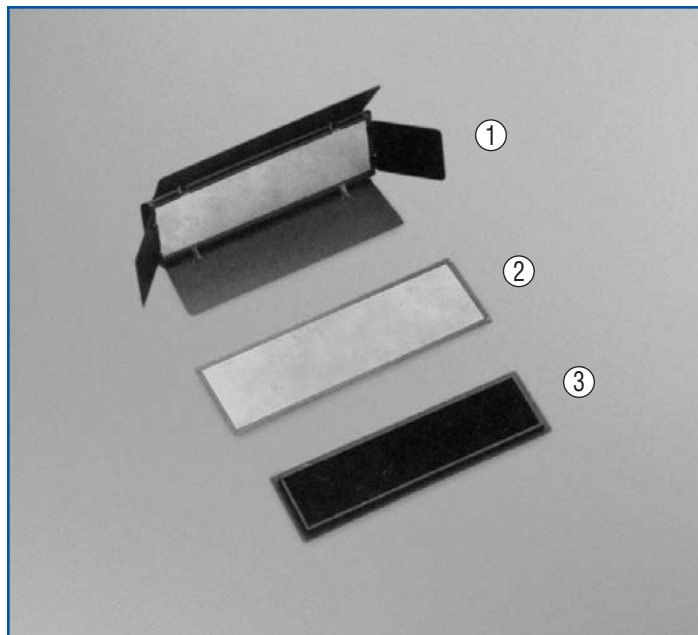
P110-255BX	Non Dim
P110-255BX-DA	On Board Dim
P110-255BX-DMX	DMX control within fixture.
P110-255BX-D/PM*	Phase Control

\* Not available in 230 volt.

WEIGHT			DIMENSIONS	Inches	Cm
	Lbs	Kg			
Complete	14.0	6.3	Length	29.75	75.6
DMX	0.5	0.2	Height	12.07	30.7
			Width	7.0	17.8

### **ACCESSORIES**

(See detailed description and function in Accessories Section)



**PART #**

- ① BD-P110      Barn Door
- ② GF-P110      Gel Frame
- ③ ZS-P110-W    Zone Control Screen Wide

### **PHOTOMETRICS**

2-03 MODEL P110-255BX		DISTANCE				
		3ft/.91m	6ft/1.83m	9ft/2.74m	12ft/3.66m	15ft/4.57m
NO ACCESSORIES	FC	696	174	77	44	28
	Lux	7492	1873	829	474	301

Light level readings were measured in foot-candles (fc) and converted to Lux using the conversion factor of 1 fc = 10.765 Lux. Values shown are light levels on centerline. Reference: Meter used—Minolta T-1 Illuminance meter. Lamps: 3000 Kelvin. Ambient temperature in test studio 75F ±3F. Distance measurements converted to feet using 1ft = .305m. Original photometric data on file at the factory. Specifications subject to change without notice or obligation.