



SHADOWCASTER Series SC650-1650TH

SYSTEM

300, 500, 575 or 650 watt halogen unit may be used when point source lighting is desired. Used primarily for artistic design to add hard shadows or create depth on a set. Gel frame and barn doors are available for effects and control.

UL/CUL/CE Listed

SPECIFICATION

Housing: Rugged, lightweight die-cast and extruded aluminum fixture has etched metallic finish with clear anodize coating and is trimmed in black.

Easy Focus Action: Which minimizes damaging lamp vibration and lamp slide jamming due to the Shadowcaster's unique posi-slide lamp and lens focus system, incorporating Teflon-coated bearings to avoid same metal-to-metal contact.

Lens: Thermal shock resistant 4.25" (110mm) glass Fresnel lens.

Socket: Polarized, prefocus, 2-pin GY9.5 type with ejector.

Electrical: Unit is rated for a maximum of 650 watts, 120/240 volts, AC/DC operation. Current drawn at 120VAC is 5.4 amps.

Mounting: Provided with flat steel yoke with .5" hole with keyway for C-Clamp or Stand Adapter. Yoke allows full 360 degree rotation of head and may be locked into place.

Fixture Includes:

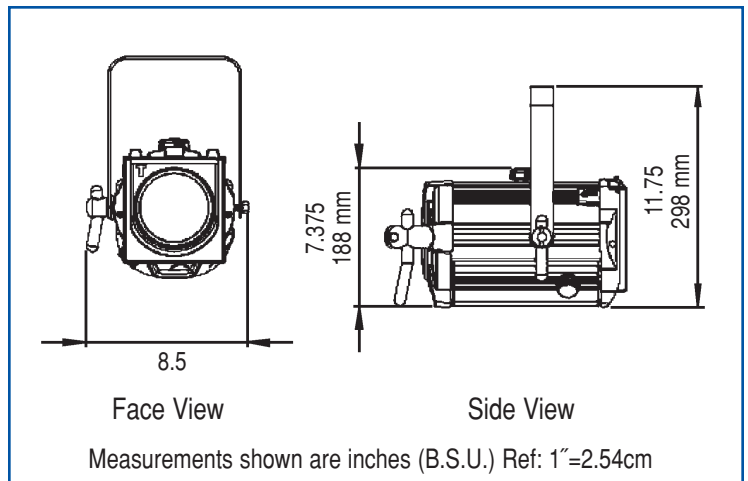
- 3' power cord with NEMA5-15 (3) prong plug
- (1) C-Clamp or 5/8" Stand Adapter (Specify One)

LAMPS (3200 K)

ANSI Code	Watts	Volts	Lumens
FKW	300	120	7800
FRG	500	120	13000
(Ushio lamp)	575	120	12000
FRK	650	120	16900
FRL	650	230	16250

OPTIONS (Must Specify)

Mounting 2" O.D. C-Clamp
 5/8" Stand Adapter



MODEL

SC650-1650TH

Standard fixture

WEIGHT

Complete

Lbs

7.4

Kg

3.4

DIMENSIONS

Length

Inches

12.9

Cm

32.7

Height

11.8

29.8

Width

8.5

21.6

ACCESSORIES

(See detailed description and function in Accessories Section)



PART

- ① BD-SC650 Barn Door
- ② GF-SC650 Gel Frame

PHOTOMETRICS

w/FRK Lamp: 3200 Kelvin, 650 watts

MODEL SC650-1650TH		DISTANCE				
		10ft	15ft	20ft	25ft	30ft
Spot focus	FC	429	191	107	69	48
	Lux	4618	2056	1152	743	517
Flood focus	FC	50	22	13	8	6
	Lux	538	237	140	86	65

Light level readings were measured in foot-candles (fc) and converted to Lux using the conversion factor of 1 fc = 10.765 Lux. Values shown are light levels on centerline. Reference: Meter used – Minolta T-1 Illuminance meter. Lamps: 3000 Kelvin. Ambient temperature in test studio 75F ± 3F. Distance measurements converted into meters using 1ft = .305. Original photometric data on file at the factory. Specifications subject to change without notice or obligation.