



SETLITE Series SL110-255BX

SYSTEM

110 watt compact fluorescent unit that provides a smooth asymmetric wash of light for even coverage of set, Dura Trans, or Chromakey walls or fill lighting for short throw studio applications. All 230 volt fixtures are RoHS compliant.

UL/CUL/CE Listed

SPECIFICATION

Housing: Extruded aluminum fixture is coated with textured TGIC polyester powder coat finish.

Reflector: Formed .020 high purity aluminum (99.9%) reflector material with 95% reflectance finish.

Socket: Molded white high strength thermoplastic with push wire connections and 18 gauge leads. Model number 2G11 4-pin.

Electrical: Unit contains (1) 2-lamp ballast to drive two 55 watt lamps for a total of 110 lamp watts per fixture. Power factor shall be > .97 with a class A sound rating and THD of <20%. Power entry on unit includes on/off switch, fuse holder with fuse (for protection against power surges), spare fuse and IEC connector.

Mounting: Provided with .125 welded aluminum yoke. Unit may rotate vertically through the yoke and horizontally through a pipe clamp for ease of focus, and may be locked into place.

Fixture includes:

- (2) 55 watt Biax Lamps
- (1) 2-lamp Ballast (Specify Voltage)
- 16' power cord with NEMA5-15 (3) prong plug
- (1) C-Clamp or 5/8" Stand Adapter (Specify One)

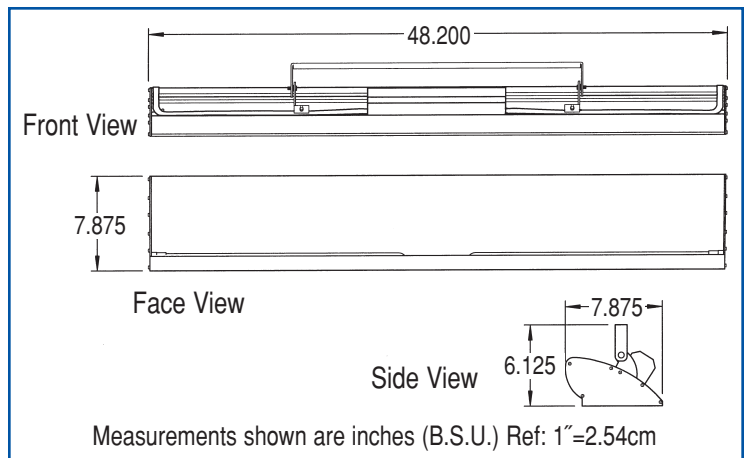
LAMPS

(2) 55 watt FT55W/2G11/830
3000K, 12,000 Hours Lamp Life
CRI: 82
Light output: 4800 LM/Lamp

OPTIONS (Must Specify Each)

Ballast 120 VAC/60Hz HPF Electronic
 230 VAC/50-60Hz HPF Electronic

Mounting 2" O.D.C-Clamp
 5/8 Stand Adapter



MODEL

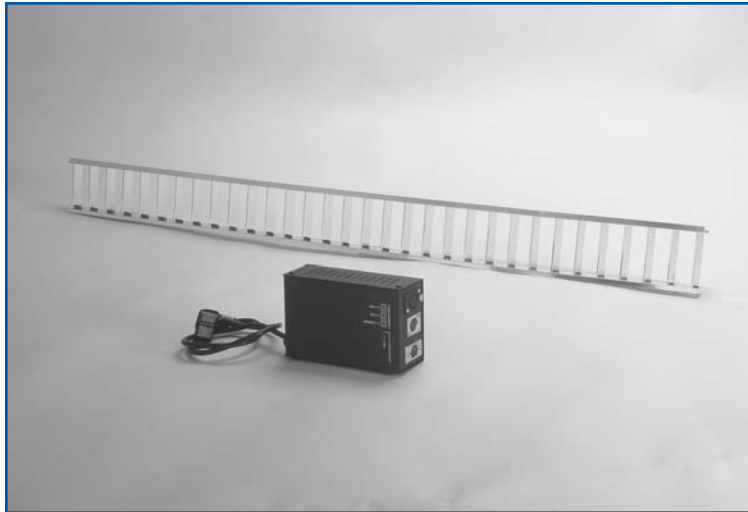
SL110-255BX	Non Dim
SL110-255BX-DA	On Board Dim
SL110-255BX-DMX	Requires a DMX512-S to Dim
SL110-255BX-D/PM*	Phase Control Dim
* Not available in 230 volt.	

WEIGHT

	Lbs	Kg	DIMENSIONS	Inches	Cm
Complete	17.0	7.7	Length	48.2	122.4
DMX	2.0	0.9	Height	6.1	15.5
			Width	7.9	20.0

ACCESSORIES

(See detailed description and function in Accessories Section)



PART #

- ① LV-SL110 Parallel Blade Louver
- ② DMX-512-S DMX Analog Encoder

PHOTOMETRICS

Light readings are shown in footcandles and were calculated with Lighting Analysts' AGI 32 utilizing independent test lab photometric file #4009B.IES. Readings are initial levels and the reflectances of the room for calculation purposes were Ceiling: .80, Walls: .50 and Floor: .20. To convert levels to Lux use the conversion factor of 1 fc = 10.765 Lux. Original photometric data on file at the factory. Specifications subject to change without notice or obligation.

92	48	45	42	47	44	42	47	44	43	48	45
59	79	75	75	82	75	75	81	74	74	78	69
86	110	105	108	116	107	109	115	105	105	107	92
108	138	139	140	150	143	144	150	141	137	137	111
105	133	139	140	147	144	141	147	141	135	133	110
95	116	123	126	131	130	129	132	127	122	117	101
79	96	103	106	110	110	109	110	107	102	97	86
65	78	84	88	90	91	91	90	88	84	79	71
52	62	67	70	72	74	73	72	70	67	62	58

LIGHT LEVELS ON THE WALLS
FIXTURES 3' FROM WALL AND 6' ON CENTER

49	68	67	67	67	67	67	67	67	67	60	60
89	110	113	115	115	115	115	115	115	114	109	105
128	155	161	163	164	165	165	164	163	159	151	138
160	195	209	214	216	217	217	216	213	207	194	165
156	189	205	211	215	215	215	214	211	204	191	162
139	168	182	189	193	195	195	193	190	182	169	148
116	140	152	159	163	164	165	162	159	152	141	125
95	114	124	131	134	135	136	134	131	126	115	104
77	90	99	105	108	109	109	108	105	100	92	85

LIGHT LEVELS ON THE WALLS
FIXTURES 3' FROM WALL, END TO END

20	42	41	41	43	42	41	43	42	41	43	41
51	65	65	66	69	67	67	69	66	65	64	59
73	90	90	93	97	93	94	96	91	90	87	77
93	113	118	122	127	124	124	127	122	117	113	94
96	116	123	127	132	131	130	131	127	122	116	97
92	110	118	122	126	127	126	126	123	117	110	95
82	98	106	111	114	115	114	113	111	106	98	87
71	84	92	97	99	100	100	98	97	92	84	76
59	69	76	81	82	84	84	83	80	76	70	64

LIGHT LEVELS ON THE WALLS
FIXTURES 4' FROM WALL, 6' ON CENTER, TILTED UP 5 DEGREES

44	61	62	62	62	60	60	62	60	60	62	60
75	93	98	100	100	101	101	100	100	98	93	87
107	129	137	140	141	141	141	140	139	134	125	114
137	164	178	184	186	187	187	186	183	176	162	137
141	167	183	191	194	196	196	194	191	182	168	142
135	160	174	184	187	189	189	188	184	175	161	139
121	144	157	166	170	172	172	171	166	158	145	127
104	124	135	144	147	149	150	149	144	137	125	112
87	103	113	120	124	126	126	124	120	114	102	95

LIGHT LEVELS ON THE WALLS
FIXTURES 4' FROM WALL, END TO END, TILTED UP 5 DEGREES