



V-BEAM Series Floor Mount VF168-442TT

SYSTEM

168-watt compact fluorescent unit for key lighting, provides even coverage for short throw from the floor or stage. Wide range of beam angles achieved through accessory options.

SPECIFICATION

Decorative Wood Enclosure: Constructed shroud with mounting feet is .75" thick in Light Oak, Medium Oak or Black finish. Power cord feeds through bottom.

Reflector: Formed .020 high purity aluminum (99.9%) reflector material with 95% reflectance finish.

Socket: Molded white high strength thermoplastic with push wire connections and 18 gauge leads. Model number GX24q4 4-pin.

Electrical: Unit contains (2) 2-lamp ballasts to drive four 42-watt lamps for a total of 168 lamp watts per fixture. Power factor shall be $>.97$ with a class A sound rating and THD of $<20\%$. Power entry on unit includes on/off switch, fuse holder with fuse (for protection against power surges), spare fuse and IEC connector.

Mounting: Floor mounted. Interior fixture unit allows vertical adjustment for focusing.

Fixture Includes:

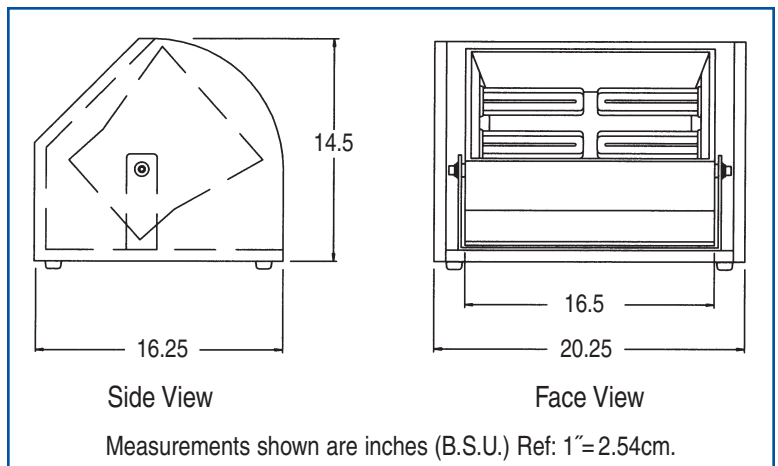
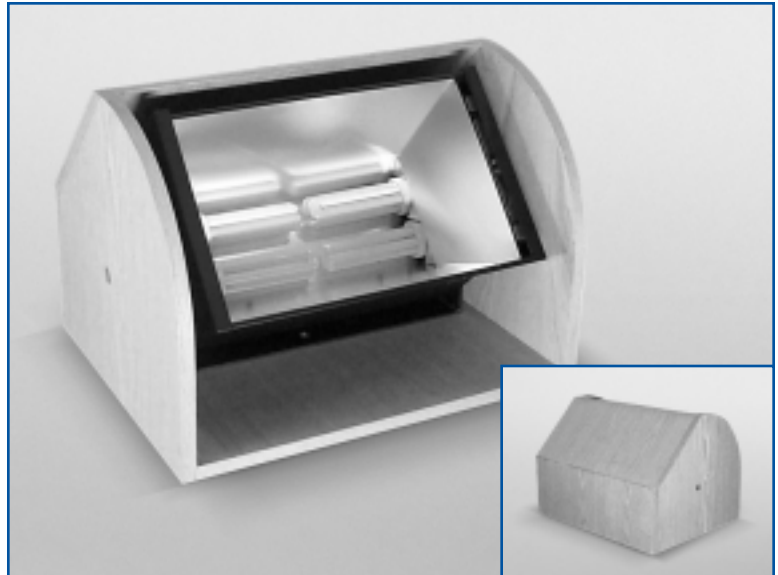
- (4) 42-watt Triple Tube Lamps
- (2) 2-lamp Ballast (Specify Voltage)
- 16' power cord with NEMA5-15 (3) prong plug

LAMPS (Included)

(4) 42-watt CFM42W/GX24q/830
3000K, 10,000 Hours Lamp Life
CRI: 82
Light output: 3200 LM/Lamp

OPTIONS (Must Specify Each)

Ballast	120 VAC/60Hz HPF Electronic 230 VAC/50-60Hz HPF Electronic
Finish	Light Oak, "L" Medium Oak, "M" Black, "B"



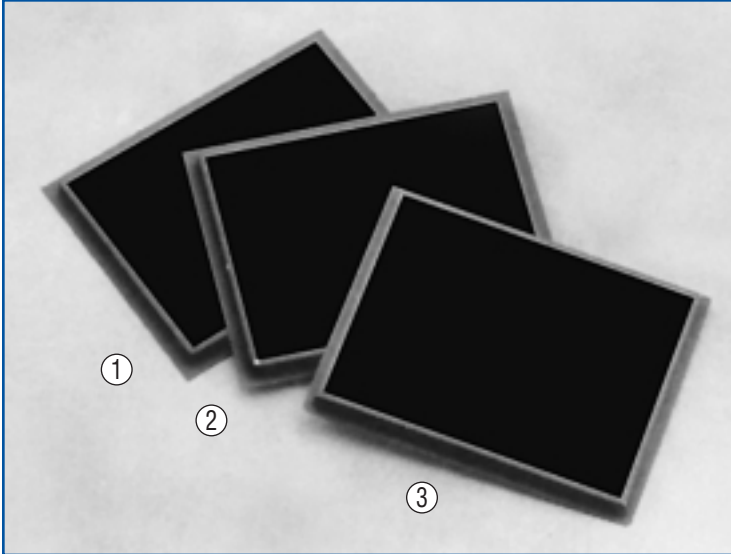
MODEL

VF168-442TT-(Finish)	Non Dim
VF168-442TT-(Finish)-D/PM*	Phase Control Dim
VF168-442TT-(Finish)-DMX	DMX control within fixture.

* Not available in 230 Volt

WEIGHT			DIMENSIONS		
	Lbs	Kg		Inches	Cm
Complete	22.0	9.9	Length	20.3	51.4
DMX	2.0	0.9	Height	14.5	36.3
			Width	16.3	41.3

(See detailed description and function in Accessories Section)



PART #

- ① ZS-V168-W Zone Control Screen Wide
- ② ZS-V168-M Zone Control Screen Medium
- ③ ZS-V168-N Zone Control Screen Narrow
- ZS-V168-WMN Set of 3 Zone Control Screens

PHOTOMETRICS

4-05		DISTANCE				
MODEL VF168-442TT		3ft/.91m	6ft/1.83m	9ft/2.74m	12ft/3.66m	15ft/4.57m
NO ACCESSORIES	FC	748	187	83	47	30
	Lux	8052	2013	893	506	323

Light level readings were measured in foot-candles (fc) and converted to Lux using the conversion factor of 1 fc = 10.765 Lux. Values shown are light levels on centerline. Reference: Meter used—Minolta T-1 Illuminance meter. Lamps: 3000 Kelvin. Ambient temperature in test studio 75F ±3F. Distance measurements converted to feet using 1ft = .305m. Original photometric data on file at the factory. Specifications subject to change without notice or obligation.